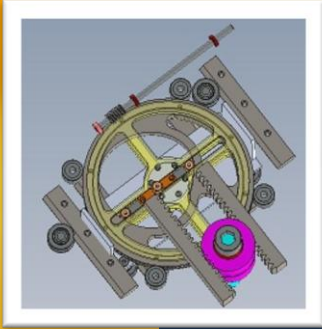


Golden Products and Services, LLC.

The name "Golden Products and Services" reflects the fact that most of the product team attended Oakland U., whose sports fans are referred to as the Golden Grizzlies.

Game-Changing Transmission



Who are we and why are we here?

Golden Products and Services, LLC. was founded in 2011 with the mission of studying feasibility of a new kind of transmission. We specialize in Engineering design services such as CAD training, ISO compliance, green technology, and lean mfg.

What is the opportunity?

The challenge is to design new energy efficient transmissions that control larger torques. Nearly every automotive engine has been vastly oversized to provide adequate acceleration from rest. By being able to control the energy conversion from kinetic energy to and from a potential energy storage device, engines can be made much smaller without sacrificing performance.

What are we doing?

Under the auspices of Oakland U.'s Center for Robotics and Unmanned Intelligent Systems (C.R.U.I.S.), we created a desktop model to demonstrate the infinitely variable portion of the device. In 2013, we applied for a patent to cover new IP disclosed by the inventor. We are designing and developing prototypes to measure performance and discover weaknesses prior to commercialization. We believe strongly that Energy Management through our technology will revolutionize engineering designs.

Why are we doing this?

Once the implications of Energy Management are understood, there will be a need for new transmissions capable of handling large transient loads, especially when Energy Management is used to enhance the performance of current engines. We are positioning ourselves to be at the forefront of those seeking solutions to those needs.

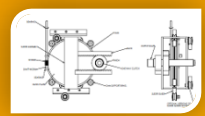
What are the competitive advantages?

The design goals seek a measurable competitive advantage in the following areas:

- Manufacturing Cost
- Fuel Efficiency
- Weight
- Durability
- Performance/Acceleration
- Towing Capacity

How will this help?

Saving fuel directly helps the environment by reducing emissions until alternative fuel sources are developed. Plus, this new kind of transmission can work with any fuel source or engine. It is a green technology.



2014

2013

2012

2012

2012

2011

Milestones and Growth

September, 2013 Golden Products and Services LLC. receives exclusive assignment to license or sell the Pending U.S. Patent – Review Date September, 2014

April, 2013- Golden Products and Services Awarded Micro-Grant Through OU Incubator for the MICEVC to establish Business Operating Agreement with Butzel-Long.

March, 2013- Golden Products and Services LLC. Applied for new Patent covering new I.P. for product improvements through Dr. Thomas Helmholtz of Wayne State Patent Clinic with the USPTO Satellite Program.

January, 2013- Golden Products and Services LLC. joins the Macomb-OU Incubator

November, 2012- Golden Products and Services LLC. Is established.

October, 2012- Golden applies and is accepted to the MICEVC-Michigan Clean Energy Venture Challenge with University of Michigan resulting in a microgrant.

September, 2012- Golden Products and Services. Completes development on a hand-Held Controller that shows Infinitely variable Gear Ratio.

August, 2012- Second Meeting GM Research Powertrain with Golden Products and Services resulting in a request for a prototype meeting specific design

July, 2012- Golden Research Team Develops Proof-of-Concept manufactured by industry experts on the team.

June, 2012- Golden starts Fast-Trac in January, 2012 to develop initial business plan and completes Program in June. Golden Products and Services LLC. Recruits Dr. Michael Latcha for design review and analysis.

May 2012- First Meeting GM Research Powertrain with Golden Products and Services resulting in a request for a second meeting to discuss the proof-of-concept.

March 2012- Golden Manages team Project resulting in first Cad Model, Project Reporting, Design Reviews and applying for Nine Sigma Grant discovered by Dr. Ching Ko.

February 2012- Golden recruits retired Ford Power-train Engineers for design reviews towards creating a prototype..

January, 2012- Dr. Ka C. Cheok Challenges Team, including the inventor, to investigate Feasibility for multi-purpose CVT/IVT as part of CRUIS.

December, 2012- Inventor John W. Klovstad discusses CVT at Oakland U. for EIS Organization and Dept of Electrical/Mechanical Engineering.

September, 2011-Golden Products and Services Partnership established..

Patent Pending on improvements to existing Infinitely Variable design

Some Proposed Applications:



OEM



Aftermarket



ATV's



Windmills

Your Idea Here

Endless Possibilities

Macomb-Oakland University Incubator
 8633 Eighteen Mile Road, Suite 2E
 Sterling Heights, MI 48314

James Fortune
 JAFortune@FortuneJames.com
 (586) 873-4337

Walid Elsady
 w_elsady@yahoo.com
 (586) 843-7280